



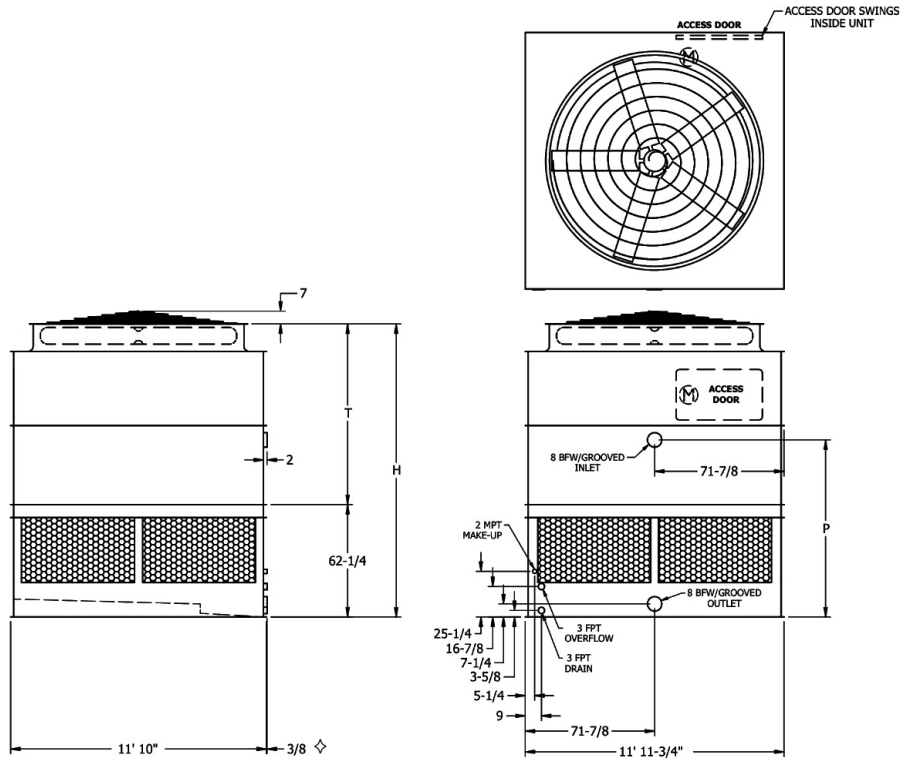
Portable
Air and Power



PortableAirandPower.com

888.365.5943

400 Ton Cooling Tower



| | |
|---|--|
| Dimensions (Approx): 12' L x 12' W X 14' H | Model # 112-212 |
| Operating Weight: 13,750 lbs. | Shipping Weight: 7540 lbs. |
| Electrical: 460 volts, 20 FLA, 60 hz Disconnect amps: 50 | Female twist-lock electrical connection |
| 6" QC inlet/outlet water connections | Nominal Flow: 1200 GPM Maximum Flow: 1500 GPM |